

## Introduction

We would like to welcome you to the world of remote control cars. What are RC cars? The simple answer is that they are radio controlled cars that respond precisely to your command. The more complete answer is that they can be a great addition to your lifestyle. RC car building and racing teach valuable mechanical and electrical skills, promote teamwork and encourage racers to test their skills with other racers from around the world. Whether you are just having fun racing your car in your backyard or racing at the world competition contest, radio controlled car racing is a great hobby.

We have been making RC products aimed at making our hobby fun and exciting with an affordable price. We are confident that your experience with our products will be positive. Of all the radio controlled models out there, no question about it, RC cars are the hardest to operate. This user manual covers a wide range of topics from nitro powered remote control cars to electrical powered remote control cars. We highly recommend that you read this user manual thoroughly and carefully before assembling and operating. Please follow all precautions and recommendations located within the manual. Be sure to retain the manual for future reference, routine maintenance, and tuning.

This product is not a toy. It is not recommended for children under 14 years old and any minor should be accompanied by an adult when operating. This product is a precision machine that requires proper assembly and setup to avoid accidents. Failure to take caution when operating this product may result in serious injury or property damage. It is the owner's responsibility to operate this product in a safe manner. Manufacturer and its distributors are not responsible in any way for any and all bodily injury(s) and/or property damage that may occur from the use of or caused by in any way or this product.

## Warnings

- The product is not intended for those under 14 years of age without proper adult supervision. The product is not a toy. It is a precision machine requiring proper assembly and setup to avoid accidents and it is the responsibility of the owner to operate this product in a safe manner as it can cause serious personal injury and damage to property due to carelessness or misuse.
- Do not attempt to disassemble or modify any of the product components without the assistance of an experienced RC user.
- Only use the correct type of battery to operate. Using any wrong type of battery will damage the product and possibly make it dangerous to operate.
- The motor(s) may get hot during use. Always allow 10-15 minutes between each operation for the motor to cool down. This will prolong the life of your product.
- Choose an appropriate operating site consisting of flat, smooth ground, and clear open field. Do not operate near buildings, high voltage cable lines, or trees to ensure safety operation. Operate in safe area only, away from other people. RC models are prone to accidents, failures, and crashes due to a variety of reasons including, lack of maintenance, user error, and radio interference. Users are responsible for their actions and damage or injury occurring during the operation.
- The product is composed of precision electrical components. It is critical to keep the product away from moisture and other contaminants. Do not allow them to get wet. Electrical damage may occur that could affect safe operation.

- Do not operate in inclement weather, such as rain, wind snow or darkness.
- You should complete a successful pre-run check of your radio equipment and model prior to each run.
- Use replacement parts from the original manufacturer to ensure safe operation.
- Operate this product within your ability. Do not operate under tired condition.
- After each use, always allow the battery to cool down before recharging. When charging the battery pack, do not overcharge! If batteries get hot during charging, discontinue charging immediately and disconnect the battery from the charger. Never leave battery unattended while charging. If you are unsure of how to charge this battery, please seek the advice of experienced RC users. Never let children charge the battery without adult supervision.
- Always turn on the transmitter before connecting the battery on the model. When turning off the model, always disconnect the battery first, and then turn off the transmitter. If the order is reversed, the model may become uncontrollable and cause serious damage.
- If you are in doubt of your ability to operate the model, we strongly recommend that you seek assistance from experienced RC users or join your local modeling club to gain the required knowledge and skill. As the manufacturer and distributor, we assume no liability for the use of this product.
- Never allow batteries to run low or you might lose control of the model.
- Plastic is very susceptible to damage or deformation due to extreme heat and cold climate. Do not store the model near any source of heat such as oven or heater. Store the model indoors, in a climate-controlled, room temperature environment.
- Never shorten the receiver antenna; or this might affect the transmitting range of the radio system.
- This product is a RC hobby model, do not use for other purpose.

## Warning Notes :

- Do not drive your model car when it is raining or thundering to keep safety.
- Keep your model car in dry normal temperature condition, and keep away from water.
- Please do not use other optional parts to install our model car if you can not make sure it can match your car or not. And please do not over load or use it to do breaking local law.
- Please keep away from Fire and the model car come with plastic and electric material.
- Must turn on the switch of Radio, then turn on the switch of Receiver
- Must turn off the switch of Receiver, then turn off the switch of radio and take the connector out for the battery.

This product is not a simple toy. It is an authentic R/C model.

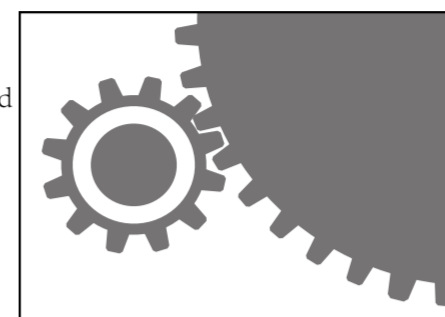
For better performance, some adjustment and correct assembly are necessary.

Use the battery properly. Incorrect battery will damage your model and/or radio system.

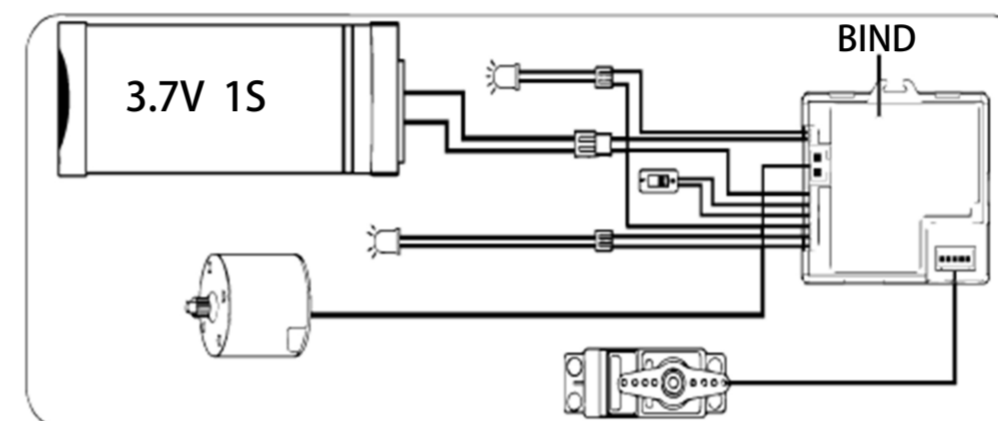
This product is strongly recommended for the user over 14 ages.

## Setting The Gear Mesh

Gear mesh is the clearance between the pinion and spur in an electric car or clutch bell and spur in a nitro car. It has impact on the vehicles performance. If the gear mesh is not set properly you may also damage the clutch bell and spur or the pinion gear and spur gear as soon as the vehicle starts running.



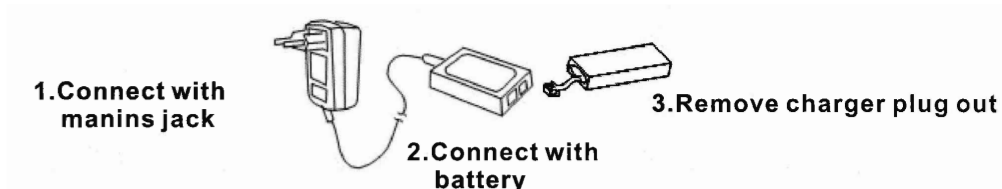
## Scheme Of Installation



## Charge Battery

- Connect charger plug with mains jack and then connect with connector of battery.
- Please be care of safety while charging, please remove charger plug from the mains jack once finish charging. Will be over heat if it is too long to be charging or incorrect charging way. Must stop charging if over 45 degree for the battery temperature

- Do not charge for battery at once when you take it away from your car. Please make sure battery in cool condition before recharge battery to keep battery performance running well and get a longer use life.



## Lithium Polymer(LiPo) Battery Warnings

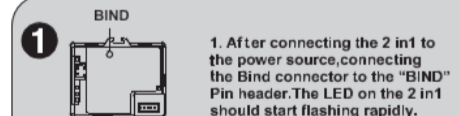
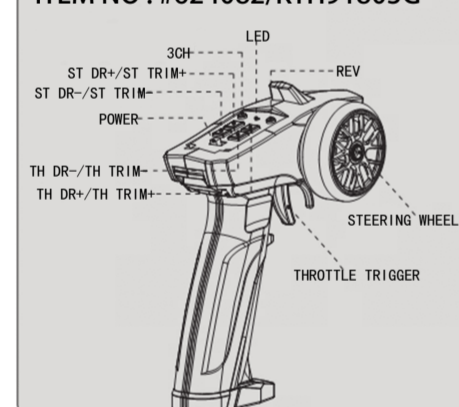
- Never charge a lithium polymer battery with a charger designed for Nicd, NIMH, or any other type of battery chemistry. Use ONLY charger designed for LiPo battery.
- Do not leave LiPo battery unattended during charging.
- Do not overcharge the battery
- Always place the battery on a heat resistant surface alone when charging.
- Always put the LiPo battery inside a charging protection container while charging.
- Do not allow LiPo cells to overheat at any time. Cells which reach greater than 140 Fahrenheit(60C) will usually become damaged and will catch fire.
- Do not charge LiPo cells on or near combustible materials including paper, plastic, carpets, vinyl, leather, and wood. inside an R/C model or full size automobile.
- Do not discharge LiPo; doing so will damage the battery.
- Do not expose LiPo cell to water or moisture at any time.
- Do not store battery near open flame or heater.
- Do not assemble LiPo cells or pre-assembled packs together with other LiPo cells or packs.
- Always store LiPo battery in a secure location away from children.
- Always remove the LiPo battery if model is involved in any kind of crash.
- Carefully inspect the battery and connectors for even the smallest damage. CAUTION: cells may be hot!
- Do not allow the electrolyte to get into eyes or on skin. Wash affected areas immediately if they come into contact with electrolyte. Do not alter or modify connectors or wires of a LiPo battery pack.
- Always inspect the condition of the battery before charging and operating.
- Do not short circuit the LiPo battery.
- Do not have contact with a leaky/damaged battery directly.
- Do not charge battery out of recommended temperature range(0C-45C)

# HOBBY PLUS INSTRUCTION MANUAL

## Function

### Install the batteries

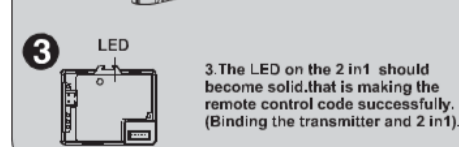
ITEM NO : #624082/KTH91803G



1. After connecting the 2 in 1 to the power source, connecting the Bind connector to the "BIND" Pin header. The LED on the 2 in 1 should start flashing rapidly.



2. Switch on the transmitter, then pull the Bind connector out of the receiver.

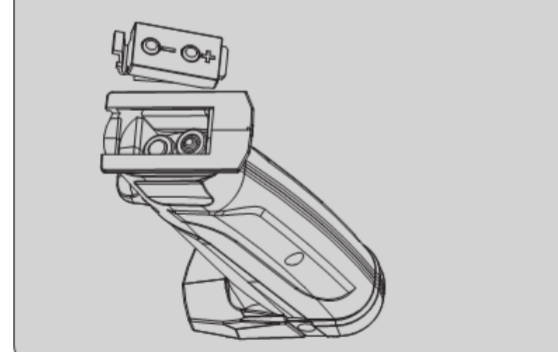


3. The LED on the 2 in 1 should become solid, that is making the remote control code successfully. (Binding the transmitter and 2 in 1).

- Remove the battery compartment cover.
- Replace the used batteries with new AAA size batteries.

Please replace batteries when the power indicator blinks or the buzzer beeps.

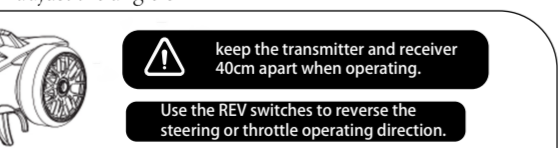
Please don't reserve the battery, or it will burn out the PCB



REV:

- Please turn the wheel to left or right with Max angle, and press REV for 2 seconds, then ST will be reverse
- Please pull the throttle or push the throttle to Max position, and press REV for 2 seconds, then REV will be reverse DR.

- Please turn the wheel to left or right with Max angle, and press ST-TRIM+ or ST-TRIM-, then adjust the angle of ST
- Please pull the throttle or push the throttle to Max position, and press TH-TRIM+ or TH-TRIM-, then adjust the angle of TH

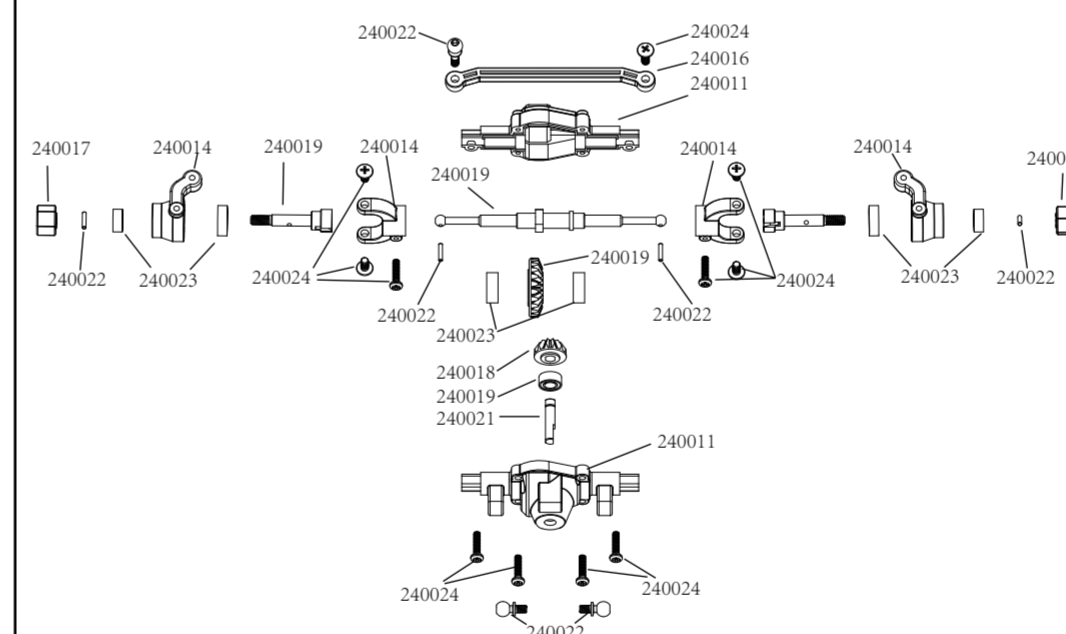


- Push the trigger forward to slow down or brake.
- Pull the trigger backward to accelerate.

**Operating Procedure**  
Before operation: First turn on the transmitter, then the receiver. Lastly, connect the drive battery to the control unit. After operation: Disconnect the battery from the control unit. Turn the receiver off, and then the transmitter.

## Spare Part


## FRONT AXLE



## REAR AXLE

